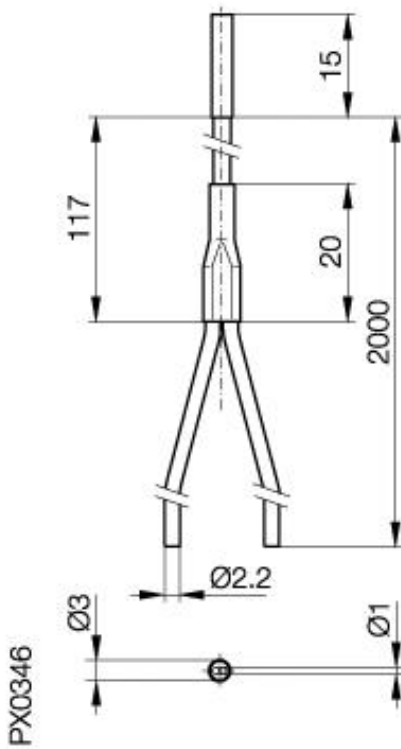


## Accessories: Fiberoptic BFO 74A-XA-JB-PZK-20-02



### Common Data

Version	Fiberoptic straight
Usable with	with BOS 15K..., BOS 20K..., BOS 74K..
Ambient temperature	-35°C...+65°C
Sensing range	60mm

### Mechanical Data

Measurements WxHxD or Dia x D	Ø3x132
Material	brass, PVC, PMMA stainless steel
Mounting	clamping with 3mm
Diameter of glass fiber bundle	2x1,0
Max. pull force on cable	6
Least bending radius	25

### Remarks

operating distance refers to Kodak gray card 90% and BOS 74K-UU-1FR-BO-Z

Datasheet number::

Definitions see general catalog.  
If not otherwise noted, ratings according to  
IEC 60947-5-2 (DIN EN60947-5-2)

Balluff GmbH  
Schurwaldstrasse 9  
73765 Neuhausen a.d.F.  
Phone (07158) 173-0 Fax (07158) 5010

Datenblatt by CD-ROM - 04/2007

**BALLUFF**  
sensors worldwide